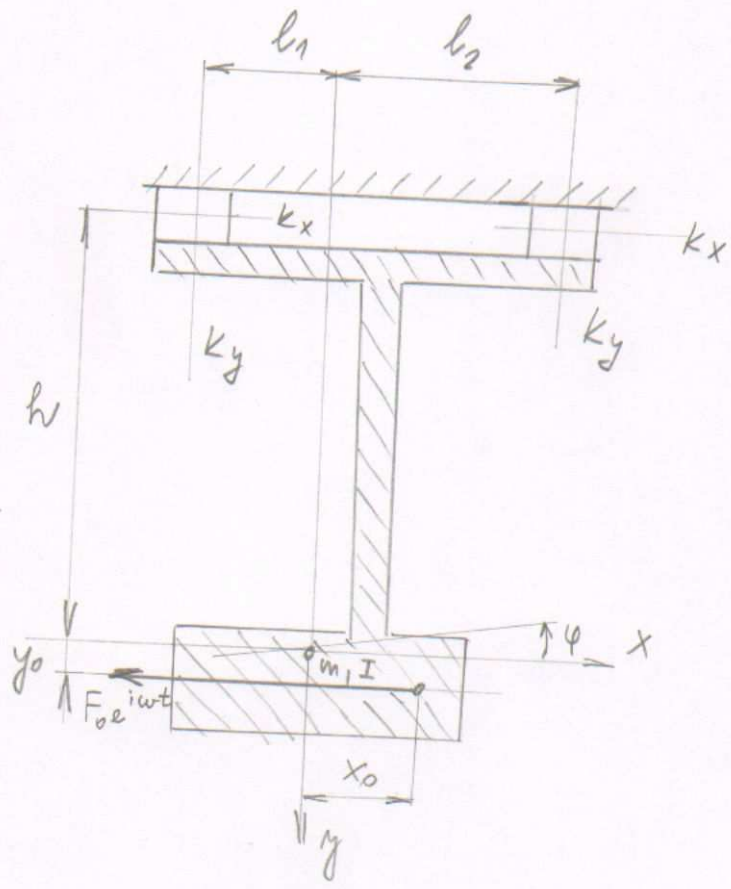
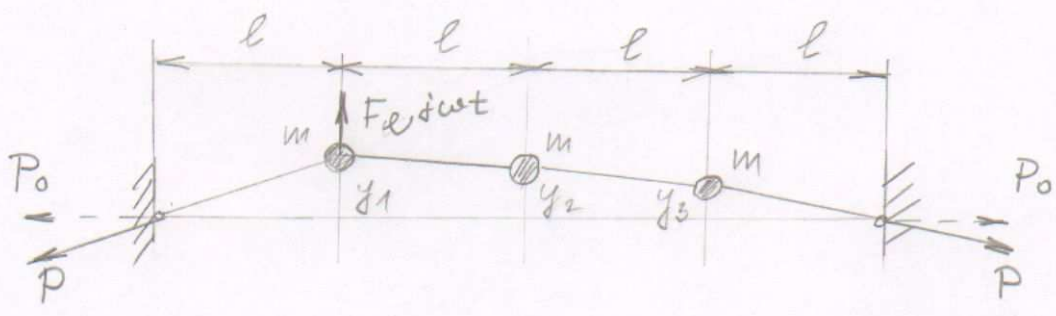


1



Dáno:
 m, I, k_x, k_y
 l_1, l_2, h, y_0
 $F_0, \omega, \xi; B = \xi \cdot K$

2



Dáno:
 $P \Rightarrow F, m, l, \omega$
 $0 \leq \omega \leq \omega_{max}$
 $y_i \ll l, \xi$
 $B = \xi \cdot K$